



# ALTV1224I - Isolated CCTV Camera & Accessory Power Supply

## Product Description:

The Altronix ALTV1224I CCTV Power Supply is specifically designed to power CCTV cameras which are not equipped with internal isolation, however it can operate cameras with built-in isolation as well. It will provide 12VAC or 24VAC distributed via eight (8) completely isolated fuse protected outputs.

## Specifications:

- Input 115 VAC 50/60 Hz, .6 amp.
- 12 or 24 VAC selectable output.
- Eight (8) completely isolated fuse protected outputs.
- Each output is rated at 0.5 amp.
- Fuses are rated at 0.5 amps/250 VAC.

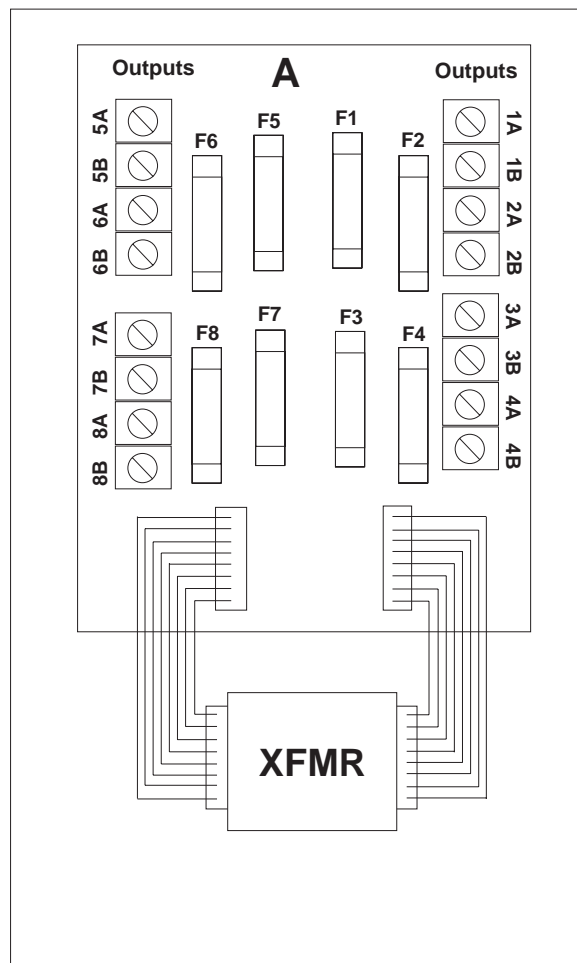
Enclosure dimensions: 12.5" H x 7.5" W x 4.5" D

## Installation Instructions:

- 1) Mount ALTV1224I enclosure in desired location
- 2) Connect 115 VAC input power to xfmr leads using the following procedure.
  - a) For power supply to provide **24 VAC output** connect 115 VAC input power to the White transformer lead and either (*not both*) of the Black transformer leads (in this configuration one black transformer lead is not used).
  - b) For power supply to provide **12 VAC output** connect 115 VAC input power to each of the Black transformer leads. (in this configuration White transformer lead is not used)

**Note:** Any transformer leads which are not used must be carefully insulated to avoid contact with enclosure or cause electrical shock!
- 3) Connect CCTV cameras to output terminals using the following procedure:

- Camera 1 to output terminals 1A & 1B
- Camera 2 to output terminals 2A & 2B
- Camera 3 to output terminals 3A & 3B
- Camera 4 to output terminals 4A & 4B
- Camera 5 to output terminals 5A & 5B
- Camera 6 to output terminals 6A & 6B
- Camera 7 to output terminals 7A & 7B
- Camera 8 to output terminals 8A & 8B



Altronix is not responsible for any typographical errors. Product specifications are subject to change without notice.